

4.0" ANTI-THEFT ROUND STOP-TAIL-TURN LIGHT

The 4.0" Anti-Theft Round Stop-Tail-Turn Lights with BOARDFREE® technology will outperform its competitors through the unknown challenges on the road with unequaled durability and impact resistance.

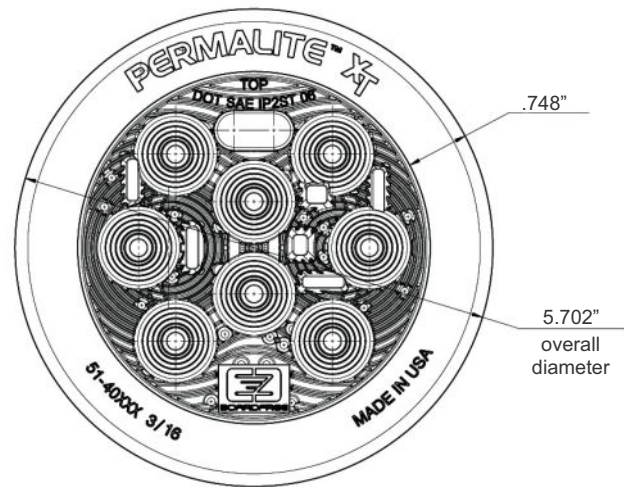
The robust composite material constructed of ABS and acrylic creates a sealed housing that provides superior protection from harsh chemicals and corrosion. The patent pending anti-theft ring is permanently overmolded onto the light to prevent loss from theft.



- ABS and acrylic construction
- Resistant to impact, corrosion, harsh chemicals and UV exposure
- Sealed and greased male 3 Pin AMP connector
- BOARDFREE® technology with 8 diodes
- Meets SAE S2 and T2
- Molded anti-theft ring is designed to install in a 4.5" mounting hole with a trailer plate thickness of 3/16" or 1/4"
- Patent pending for anti-theft overmolded ring



| | |
|----------------------------------|---------------|
| Color | Red |
| Voltage | 12V |
| Current | .23A / .024A |
| Connector | 3 Pin AMP |
| Trailer Mounting Plate Thickness | 3/16" or 1/4" |
| Material | ABS / PMMA |
| SAE Specifications | S2 & T2 |
| Number of LEDs | 8 |



Light Connects to Female 3 Pin AMP Connector

| Part No. | Description |
|----------|--|
| 51-40122 | 4.0" Round Stop-Tail-Turn Light, with Black Anti-Theft Overmold, for 3/16" Trailer Plate Thickness, Red |
| 51-40142 | 4.0" Round Stop-Tail-Turn Light, with Black Anti-Theft Overmold, for 1/4" Trailer Plate Thickness, Red |
| 51-40132 | 4.0" Round Stop-Tail-Turn Light, with Silver Anti-Theft Overmold, for 3/16" Trailer Plate Thickness, Red |
| 51-40152 | 4.0" Round Stop-Tail-Turn Light, with Silver Anti-Theft Overmold, for 1/4" Trailer Plate Thickness, Red |

(L-ATRSTTL-AFT-ENG-Lighting) REV-0 3-12-15

Manufactured by Innotec for exclusive distribution by Phillips Industries - A California Corporation

12070 Burke Street, Santa Fe Springs, CA 90670
800.423.4512 Fax 800.597.7757

BOARDFREE® is a registered trademark of Innotec Group