

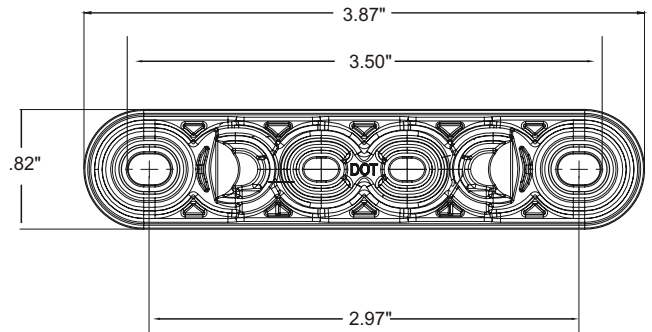
## 4.0" LOW PROFILE LICENSE LIGHT

The 4.0" License LED Lights with BOARDFREE® technology are durable and impact resistant. The use of BOARDFREE® technology allows for a compact housing with four LEDs. The ABS and acrylic construction provides a sealed housing to withstand harsh chemicals and corrosion.



- ABS and acrylic construction
- Resistant to impact, corrosion, harsh chemicals and UV exposure
- Sealed and greased male 2 Pin AMP connector
- BOARDFREE® technology with 4 diodes
- Meets SAE L standard for use as a license light by FMVSS
- Slotted low stress mounting holes
- Optional mounting bracket available (P/N: 51-17900)

Color	Clear
Voltage	12V
Current	100 mA
Connector	2 Pin AMP
Mounting Holes (2)	0.196" dia. (#10)
Material	ABS / PMMA
FMVSS Rating	L
Number of LEDs	4



Part No.	Description
51-18701	4.0" Low Profile License Light, Clear
51-17900	License Light Mounting Bracket (Optional)

L-LPLL-AFT Lighting 10-9-14

Manufactured by Innotec for exclusive distribution  
by Phillips Industries - A California Corporation  
12070 Burke Street, Santa Fe Springs, CA 90670  
800.423.4512 Fax 800.597.7757  
BOARDFREE® is a registered trademark of Innotec Group