

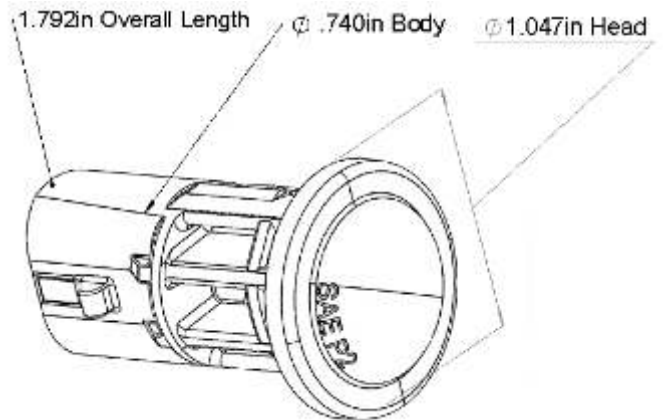
3/4" P2 RATED ROUND MARKER / CLEARANCE LIGHT

The 3/4" Marker / Clearance LED Lights with BOARDFREE® technology are durable and corrosion resistant. The use of BOARDFREE® technology provides a compact housing with one LED. The acrylic construction provides a sealed housing to withstand harsh chemicals and corrosion.

- Acrylic construction
- Resistant to impact, corrosion, harsh chemicals and UV exposure
- Sealed and greased male 2 Pin AMP connector
- BOARDFREE® technology with a single diode
- Meets SAE P2 standard for marker lights
- Anti-theft mounting ring available



Color	Amber	Red
Voltage	12V	12V
Current	33 mA	33 mA
Connector	2 Pin AMP	2 Pin AMP
Material	PMMA	PMMA
FMVSS Rating	P2	P2
Number of LEDs	1	1



Part No.	Description
51-34103	3/4" P2 Round Marker / Clearance Light, Amber
51-34102	3/4" P2 Round Marker / Clearance Light, Red
51-34550	Anti-Theft Mounting Ring



L-P2RRMCL-AFT Lighting 10-9-14

Manufactured by Innotec for exclusive distribution by Phillips Industries - A California Corporation

12070 Burke Street, Santa Fe Springs, CA 90670
800.423.4512 Fax 800.597.7757

BOARDFREE® is a registered trademark of Innotec Group