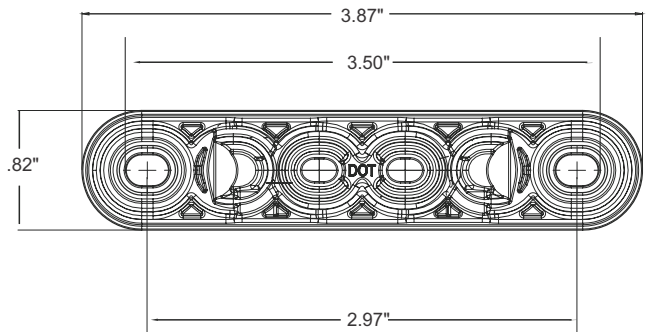


4.0" LOW PROFILE MARKER / CLEARANCE LIGHTS

The Low Profile 4.0" Marker / Clearance LED Lights with BOARDFREE® technology are durable lights designed to outlive the life of the trailer. It will significantly reduce opportunities for damage, increase safety, and provide guaranteed operational excellence.



- ABS and acrylic construction
- Resistant to impact, corrosion, harsh chemicals and UV exposure
- Sealed and greased male 2 Pin AMP connector
- BOARDFREE® technology with 4 diodes
- Meets SAE PC standards for marker lights
- Meets FMVSS 108
- Slotted low stress mounting holes
- Optional mounting gasket available (P/N: 51-18500)



Color	Red	Amber
Voltage	12V / 6V	12V / 6V
Current	100 mA / 30 mA	100 mA / 30 mA
Connector	2 Pin AMP	2 Pin AMP
Mounting Holes (2)	0.196" dia. (#10)	0.196" dia. (#10)
Material	ABS / PMMA	ABS / PMMA
FMVSS Rating	PC	PC
Number of LEDs	4	4



Part No.	Description
51-18313	4.0" Low Profile Marker/Clearance Light, Amber
51-18312	4.0" Low Profile Marker/Clearance Light, Red
51-18500	Mounting Gasket For Low Profile Marker/Clearance Light (Optional)

L-LPMCL-AFT Lighting 10-30-14

Manufactured by Innotec for exclusive distribution by Phillips Industries - A California Corporation

12070 Burke Street, Santa Fe Springs, CA 90670
800.423.4512 Fax 800.597.7757

BOARDFREE® is a registered trademark of Innotec Group