

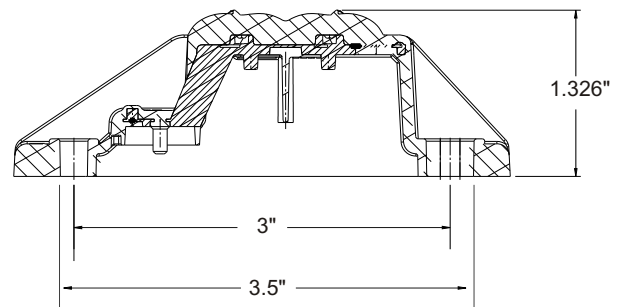
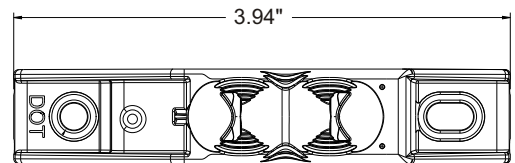
## 4.0" RECTANGULAR LICENSE LIGHT

The 4.0" Rectangular License LED Lights with BOARDFREE® technology are durable and impact resistant. The use of BOARDFREE® technology allows for a compact housing with two LEDs. The ABS and acrylic construction provides a sealed housing to withstand harsh chemicals and corrosion.

- ABS and acrylic construction
- Resistant to impact, corrosion, harsh chemicals and UV exposure
- Sealed and greased male 2 Pin flat seal connector
- BOARDFREE® technology with 2 diodes
- Meets SAE L standard for use as a license light by FMVSS
- Low stress mounting holes
- Optional mounting bracket available (P/N: 51-17900)



Color	Clear
Voltage	12V
Current	46 mA
Connector	2 Pin Flat Seal
Mounting Holes (2)	0.225" dia.
Material	ABS / PMMA
FMVSS Rating	L
Number of LEDs	2



Part No.	Description
51-17701	4.0" Rectangular License Light, Clear
51-17900	License Light Mounting Bracket (Optional)

L-RLL-AFT Lighting 10-9-14

Manufactured by Innotec for exclusive distribution by Phillips Industries - A California Corporation

12070 Burke Street, Santa Fe Springs, CA 90670  
800.423.4512 Fax 800.597.7757

BOARDFREE® is a registered trademark of Innotec Group