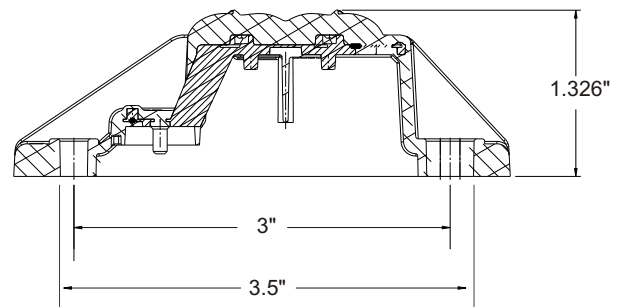
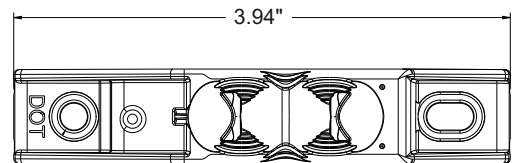


4.0" RECTANGULAR MARKER LIGHT

The 4.0" Rectangular Marker LED Lights with BOARDFREE® technology are durable and impact resistant. The use of BOARDFREE® technology allows for a compact housing with two LEDs. The ABS and acrylic construction provides a sealed housing to withstand harsh chemicals and corrosion.



- ABS and acrylic construction
- Resistant to impact, corrosion, harsh chemicals and UV exposure
- Sealed and greased male 2 Pin flat seal connector
- BOARDFREE® technology with 2 diodes
- Meets SAE PC2 standard for use as a marker light by FMVSS
- Low stress mounting holes



Light Connects to Female 2 Pin Flat Seal Connector

Color	Red	Amber
Voltage	12V	12V
Current	46 mA	46 mA
Connector	2 Pin Flat Seal	2 Pin Flat Seal
Mounting Holes (2)	0.225" dia.	0.225" dia.
Material	ABS / PMMA	ABS / PMMA
FMVSS Rating	PC2	PC2
Number of LEDs	2	2

Part No.	Description
51-17313	4.0" Rectangular Marker Light, Amber
51-17312	4.0" Rectangular Marker Light, Red

L-RML-AFT Lighting 10-9-14

Manufactured by Innotec for exclusive distribution
by Phillips Industries - A California Corporation

12070 Burke Street, Santa Fe Springs, CA 90670
800.423.4512 Fax 800.597.7757

BOARDFREE® is a registered trademark of Innotec Group