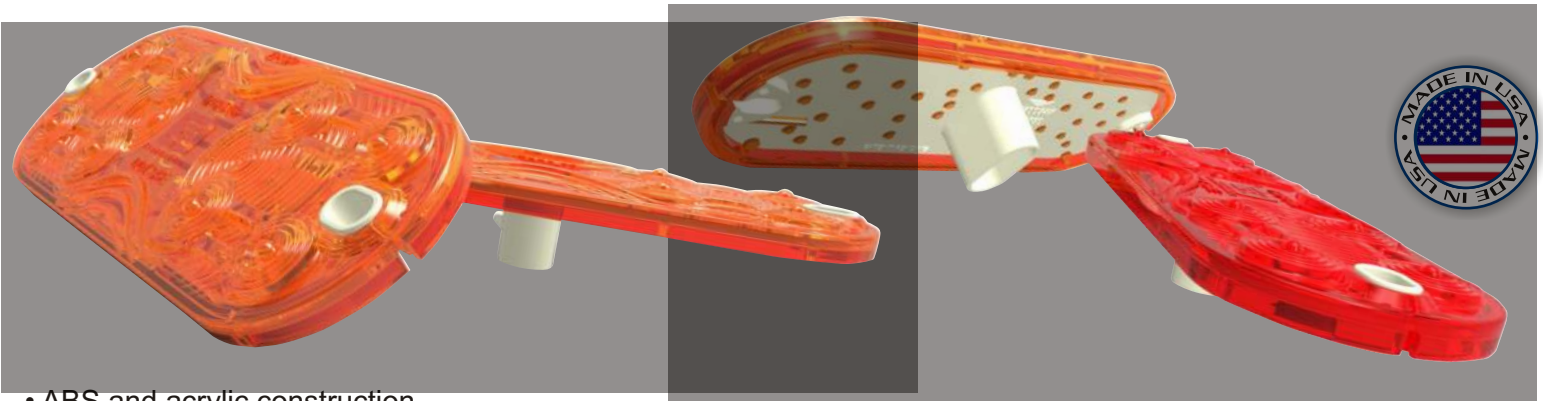
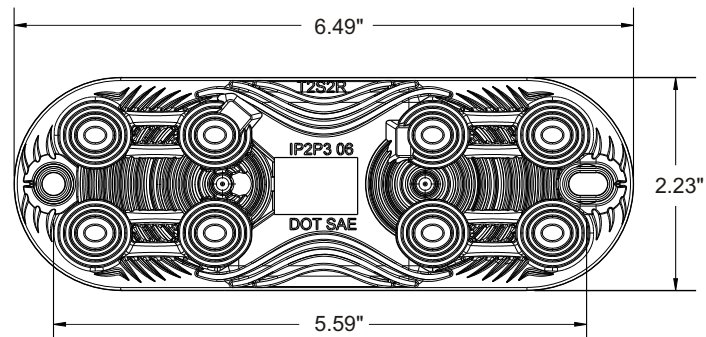


## 6.5" OVAL SIDE TURN / MARKER & STOP-TAIL-TURN LIGHTS

The 6 1/2" Side Turn / Marker & Stop-Tail-Turn Lights with BOARDFREE® technology are durable and impact resistant. The use of BOARDFREE® technology provides a streamlined thin profile for convenient surface mounting. The ABS and acrylic construction provides a sealed housing to withstand harsh chemicals and corrosion.



- ABS and acrylic construction
- Resistant to impact, corrosion, harsh chemicals and UV exposure
- Sealed and greased male 3 Pin AMP connector
- BOARDFREE® technology with 8 diodes
- Side turn light meets SAE I, P2 and P3 for turn signals and side markers
- Stop-tail-turn light meets SAE S2 and T2
- Low stress mounting holes



Light Connects to Female 3 Pin AMP Connector

Color	Red	Amber
Voltage	12V	12V
Current	190 mA / 40 mA	190 mA / 40 mA
Connector	3 Pin AMP	3 Pin AMP
Mounting Holes (2)	0.2246" dia.	0.2246" dia.
Material	ABS / PMMA	ABS / PMMA
FMVSS Rating	S2 & T2	I, P2, P3
Number of LEDs	8	8

Part No.	Description
51-60103	6.5" Oval Side Turn / Marker Light, Amber
51-60102	6.5" Oval Stop-Tail-Turn Light, Red

L-OSTMSTTL-AFT Lighting 10-9-14

Manufactured by Innotec for exclusive distribution  
by Phillips Industries - A California Corporation

12070 Burke Street, Santa Fe Springs, CA 90670  
800.423.4512 Fax 800.597.7757

BOARDFREE® is a registered trademark of Innotec Group